

# Advanced service solutions



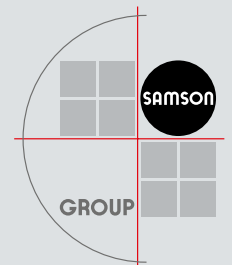
# SERVICE



|  |   |  |
|--|---|--|
|  <b>SAMSON AG</b><br>MESS- UND REGELTECHNIK |  <b>AIR TORQUE</b>                           |  <b>KT Elektronik</b>         |
|  <b>LEUSCH</b>                              |  <b>Pfeiffer</b><br>Chemie-Armaturenbau GmbH |  <b>SAMSOMATIC GMBH</b>       |
|  <b>STAR LINE</b>                           |  <b>VETEC</b><br>Ventiltechnik GmbH          |  <b>WELLAND &amp; TUXHORN</b> |



■ *Where innovation is tradition*



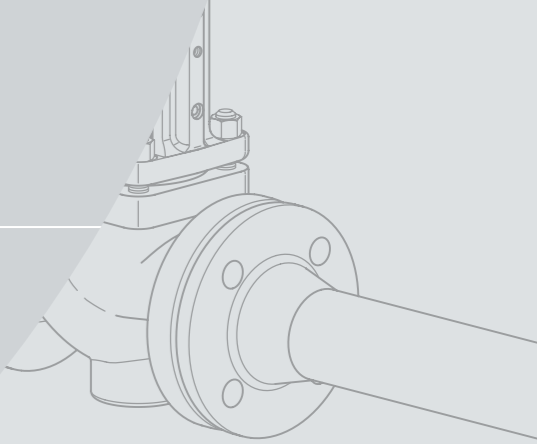
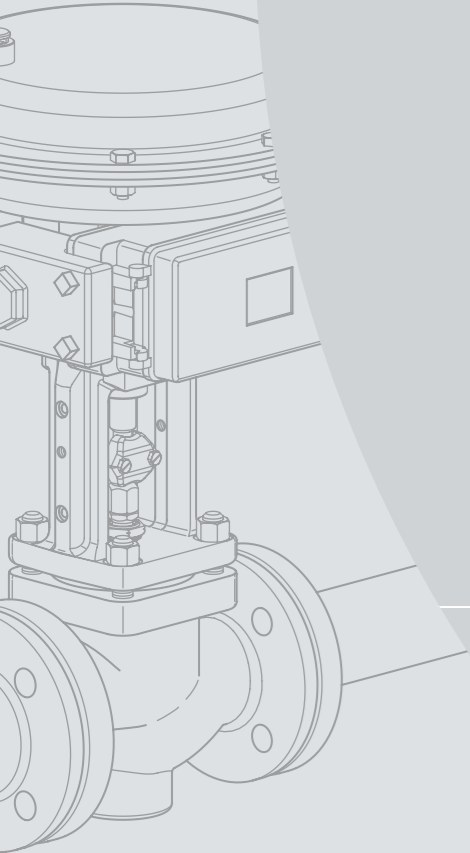
# Keeping valves running for over 100 years

TROVIS SOLUTION



- A global service network in over 55 countries for fast support at the customer's, keeping plant downtime to a minimum
- Control valve servicing and testing in conformity with international standards in certified SAMSON workshops
- Smart engineering of critical valve service to enhance and optimize operation, resulting in reduced lifecycle costs
- Tailored service training held either in specialized workshops or on the job, including new training ideas adapted to customers' needs
- Support during plant commissioning provided by experienced SAMSON staff

- Online monitoring around the clock with SAMSON's diagnostics tools and the web-based TROVIS SOLUTION tool to provide predictive maintenance





## **SAMSON GROUP**

Global presence – Global activities

- SAMSON AKTIENGESELLSCHAFT
- AIR TORQUE S.p.A.
- KT-ELEKTRONIK GmbH
- LEUSCH Industriearmaturen GmbH
- PFEIFFER Chemie-Armaturenbau GmbH
- SAMSOMATIC GMBH
- STARLINE S.p.A.
- VETEC Ventiltechnik GmbH
- WELLAND & TUXHORN AG



SAMSON AG · MESS- UND REGELTECHNIK  
Weismüllerstraße 3 · 60314 Frankfurt am Main · Germany  
Phone: +49 69 4009-1668 · Fax: +49 69 4009-1507  
E-mail: [service@samson.de](mailto:service@samson.de) · Internet: [www.samson.de](http://www.samson.de)